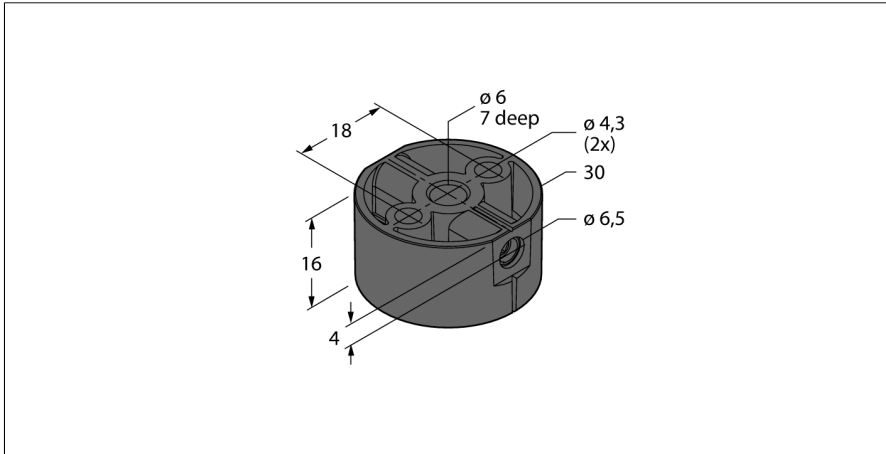


**Positioning element  
for inductive angle sensors Ri-QR14  
P1-RI-QR14**

- Positioning element
- Hollow shaft, internal diameter 6 mm
- Incl. mounting option for shaft adapter



|   |  |
|---|--|
| <b>Type designation</b>                     | P1-RI-QR14   |
| Ident-No.                                   | 1590812  |
| <b>Remark to product</b>                    | vibration and shock resistance depends on the way the transducer is mounted. |
| <b>Ambient temperature</b>                  | -40...+85 °C   |
| Temperature changes (EN60068-2-14)          | -40... +85 °C; 20 cycles   |
| <b>Housing material</b>                     | Plastic, PC  |
| Vibration resistance                        | 55 Hz (1 mm)   |
| Vibration resistance (EN 60068-2-6)         | 20 g; 10...3000 Hz; 50 cycles; 3 axes  |
| Shock resistance (EN 60068-2-27)            | 100 g; 11 ms ½ sinus; each 3x; 3 axes  |
| Continuous shock resistance (EN 60068-2-29) | 40 g; 6 ms ½ sinus; each 4000 x; 3 axes                                      |
| Salt spray test (EN 60068-2-52)             | severity degree 5 (4 test cycles)  |
| Protection class                            | IP68/IP69K   |
| Packaging unit                              | 1  |